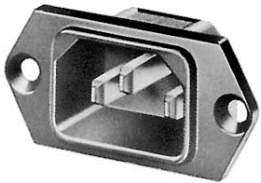
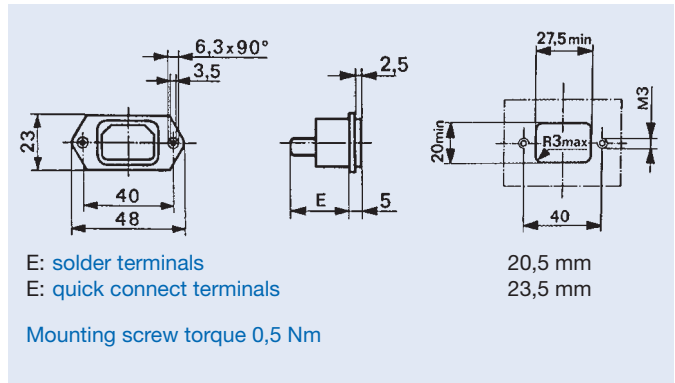
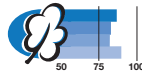


#### Appliance inlet Type 6100-3, 6102-3

Screw-on mounting from front or rear  
Solder terminals or Quick connect terminals  
Pin temperature 70 °C  
Protection classes I and II



C 14 (6100) 70 °C  
C 18 (6102) 70 °C

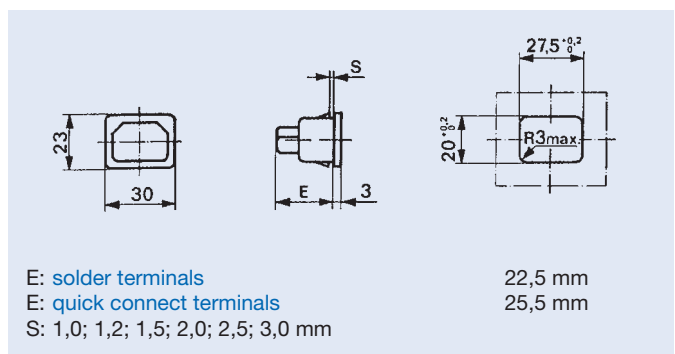
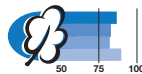


#### Appliance inlet Type 6100-4, 6102-5

Snap-in mounting from front  
Solder terminals or Quick connect terminals  
Pin temperature 70 °C  
Protection classes I and II



C 14 (6100) 70 °C  
C 18 (6102) 70 °C



#### Technical data:

- Rated current/voltage: 10 A/250 VAC
- Insulation resistance: > 10 MΩ (500 VDC, 1 Min.)
- Dielectric strength: 2 kV (50 Hz, 1 Min.), to accessible surfaces
- Material:
  - Socket: thermoplastic, black, UL 94V-0

#### Standards

Protection class I  
IEC/EN 60320-1/C14

Protection class II  
IEC/EN 60320-1/C18

#### Approvals

- SEV (10 A / 250 VAC)
- VDE (10 A / 250 VAC / 6100-3/6102-3)
- VDE (10 A / 250 VAC / 6100-4/6102-5)
- SEMKO (10 A / 250 VAC)
- UL (15 A / 250 VAC)
- CSA (15 A / 250 VAC)

#### Order Numbers

Screw-on mounting		Snap-in mounting		Terminals
Protection class I	Protection class II	Protection class I	Protection class II	
6100.3100	6102.3100*	6100.41XX	6102.51XX	Solder terminals 3,5 x 0,8 mm
6100.3200	6102.3200*	6100.42XX	6102.52XX	Quick connect terminals 4,8 x 0,8 mm
6100.3300	6102.3300*	6100.43XX	6102.53XX	Quick connect terminals 6,3 x 0,8 mm
Rivet mount types available on request Therefore change the fifth digit in the order number from a "3" to a "9" (e.g. 6100.9300)		"XX" panel thickness (s) in 1/10 mm 10, 12, 15, 20, 25, 30 e.g. 6100.4315 for 1,5 mm		

\* Minimum order quantity for rivet mount types required

Cord retaining clamp and insulation cover see page 171